

1 Pc ball valve

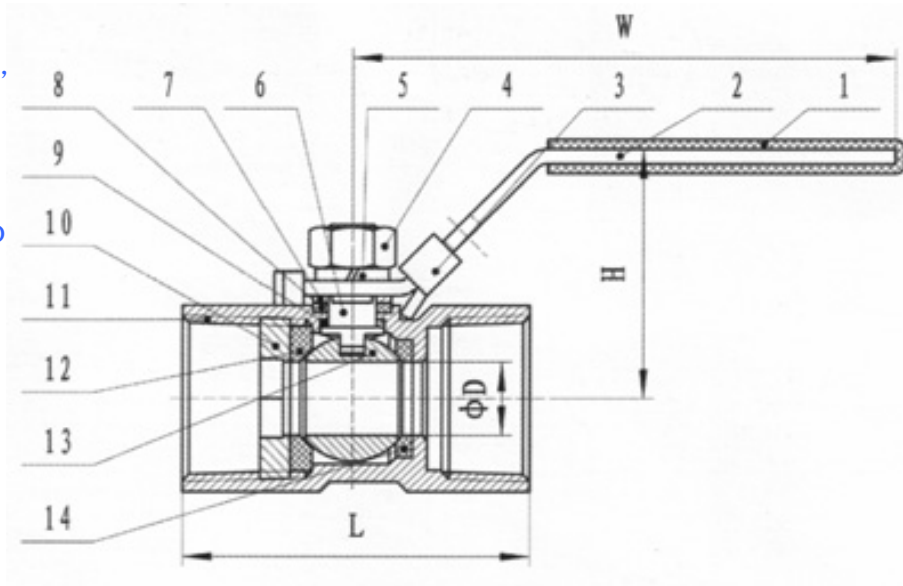


Material

ITEM	DESIGNATION	MATERIAL
1	PLASTIC COVER	PLASTIC
2	HANDLE	304
3	LOCKING	304
4	STEM NUT	304
5	SPRING WASHER	304
6	STEM	304/316
7	PACK RING	304
8	STEM PACKING	PTFE
9	THRUST WASHER	PTFE
10	CAP	304/316/WCB
11	BODY	304/316/WCB
12	BALL SEAT(A)	PTFE
13	BALL	304/316
14	BALL SEAT(B)	PTFE

FEATURES:

- PIPE THREAD IN ACCORDANCE: NPT, BSPT, DIN258, DIN2999, ISO228CLASSA
- NOMINAL PRESSURE: 1.6~6.4MPA
- TEMPERATURE RANGE: -20℃~232℃~350℃
- SUITABLE MEDIUM: WATER, OIL, AIR AND SOME CORROSIVE LIQUID
- BLOW-OUT PROOF STEM/FULL PORT
- INVESTMENT CASTING BODY
- 1000PSI (PN63) W.O.G
- LOCKING DEVICE
- MATERIAL:
 S45C/ASTM A216GR-WCB/DIN1.0619
 SS316/ASTM A351GR-CF8M/DIN1.4408



Dimension

SIZE	1/4"	3/8"	1/2"	3/4"	1"	1-1/4"	1-1/2"	2"	2-1/2"	3"	4"
ITEM											
D	5	7	10	10	15.5	20	25	32	38	50	67
L	40	45	57	60	72	78	84	100	125.5	150	193
H	30	30	39.5	42	47	55	55	63	86.5	93	126.5
W	74	74	95	95	102	124	144	144	168	192	220
Wgt/kg	0.072	0.095	0.16	0.26	0.37	0.635	0.815	1.28	2.3	2.99	8.45