

**WENBAO**
温宝球阀 WENBAO BALL VALVE
 OUR PHILOSOPHY IS SIMPLY TO SUPPLY THE BEST
 WENBAO QUALITY ACHIEVEMENT FOR FUTURE

2 Pc ball valve (light type)



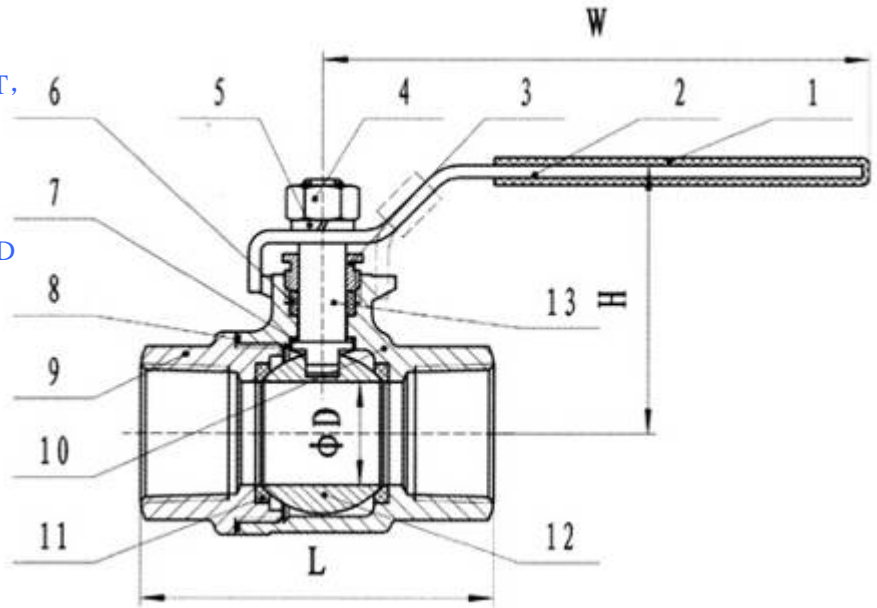
Material

ITEM	DESIGNATION	MATERIAL
1	PLASTIC COVER	PLASTIC
2	HANDLE	304
3	GLAND NUT	304
4	STEM NUT	304
5	THRUST WASHER	304
6	STEM PACKING	PTFE
7	STEM SEAL	PTFE
8	BODY SEAL	PTFE
9	CAP	304/316/WCB
10	BODY	304/316/WCB
11	SEAT	PTFE
12	BALL	304/316
13	STEM	304/316

FEATURES:

- PIPE THREAD IN ACCORDANCE: NPT, BSPT, DIN258, DIN2999, ISO228CLASSA
- NOMINAL PRESSURE: 1.6~6.4MPA
- TEMPERATURE RANGE: -20°C~232°C~350°C
- SUITABLE MEDIUM: WATER, OIL, AIR AND SOME CORROSIVE LIQUID
- BLOW-OUT PROOF STEM/FULL PORT
- INVESTMENT CASTING BODY
- 1000PSI (PN63) W.O.G
- LOCKING DEVICE
- MATERIAL:

S45C/ASTM A216GR-WCB/DIN1.0619
 SS316/ASTM A351GR-CF8M/DIN1.4408



Dimension

SIZE	1/4"	3/8"	1/2"	3/4"	1"	1-1/4"	1-1/2"	2"	2-1/2"	3"	4"
ITEM											
D	11.5	11.5	13.5	17.5	22.5	29	35	48	65	80	100
L	53.5	53.5	57	67	80	93	101	117	154	177.5	228
H	51	51	55	59	68.5	75	86	96	127.5	134	160
W	93	93	93	110	125	145	170	170	210	240	314
Wgt/kg	0.23	0.217	0.27	0.42	0.715	1.10	1.67	2.10	4.50	6.55	14.60