

**WENBAO****温宝球阀 WENBAO BALL VALVE**
OUR PHILOSOPHY IS SIMPLY TO SUPPLY THE BEST
WENBAO QUALITY ACHIEVEMENT FOR FUTURE

2 Pc ball valve (heavy type)

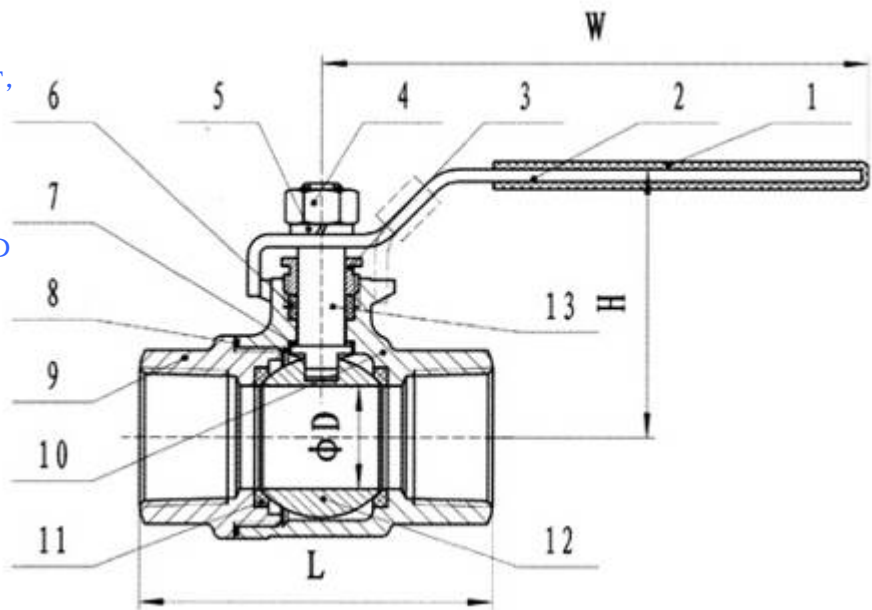


Material

ITEM	DESIGNATION	MATERIAL
1	PLASTIC COVER	PLASTIC
2	HANDLE	304
3	GLAND NUT	304
4	STEM NUT	304
5	THRUST WASHER	304
6	STEM PACKING	PTFE
7	STEM SEAL	PTFE
8	BODY SEAL	PTFE
9	CAP	304/316/WCB
10	BODY	304/316/WCB
11	SEAT	PTFE
12	BALL	304/316
13	STEM	304/316

FEATURES:

- PIPE THREAD IN ACCORDANCE: NPT, BSPT, DIN258, DIN2999, ISO228CLASSA
- NOMINAL PRESSURE: 1.6~6.4MPA
- TEMPREATURE RANGE: -20℃~232℃~350℃
- SUITABLE MEDIUM: WATER, OIL, AIR AND SOME CORROSIVE LIQUID
- BLOW-OUT PROOF STEM/FULL PORT
- INVESTMENT CASTING BODY
- 1000PSI (PN63) W.O.G
- LOCKING DEVICE
- MATERIAL:
S45C/ASTM A216GR-WCB/DIN1.0619
SS316/ASTM A351GR-CF8M/DIN1.4408



Dimension

SIZE	1/4"	3/8"	1/2"	3/4"	1"	1-1/4"	1-1/2"	2"	2-1/2"	3"	4"
ITEM											
D	11.5	11.5	13.5	17.5	22.5	29	35	48	65	80	100
L	53.5	53.5	62	74	87	105	106	125	154	177.5	228
H	51	51	55	59	68.5	75	86	96	127.5	134	160
W	93	93	93	110	125	145	170	170	210	240	314
Wgt/kg	0.23	0.217	0.365	0.535	0.88	1.27	1.86	2.95	5.80	8.60	14.60