

**WENBAO****温宝球阀 WENBAO BALL VALVE**
OUR PHILOSOPHY IS SIMPLY TO SUPPLY THE BEST
WENBAO QUALITY ACHIEVEMENT FOR FUTURE

Korea type 2 Pc ball valve (FULL BORE)

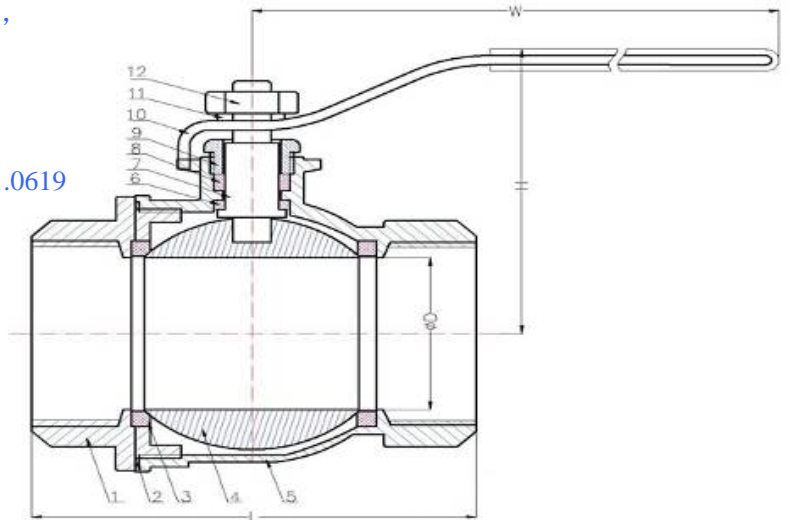


Material

ITEM	DESIGNATION	MATERIAL
1	CAP	304/316
2	GASKET	PTFE
3	SEAT	PTFE
4	BALL	304/316
5	BODY	304/316
6	THRUS WASHER	PTFE
7	STEM	304/316
8	PACKING	PTFE
9	GLAND	304
10	HANDLE	304
11	SPRING WASHER	PTFE
12	STEM NUT	304

FEATURES:

- PIPE THREAD IN ACCORDANCE: NPT, BSPT, DIN258, DIN2999, ISO228CLASSA
- BLOW-OUT PROOF STEM/FULL PORT
- INVESTMENT CASTING BODY
- MATERIAL: S45C/ASTM A216GR-WCB/DIN1.0619
SS316/ASTM A351GR-CF8M/DIN1.4408



Dimension

SIZE	1/4"	3/8"	1/2"	3/4"	1"	1-1/4"	1-1/2"	2"
ITEM								
D	10	10	15	20	24	32	38	49.5
L	49.5	49.5	57	65	79	90	98	118
H	48.5	48.5	52	61	58	70	75	88
W	88	88	90	104	112	127	144	168
Wgt/kg	0.155	0.14	0.24	0.368	0.597	0.91	1.44	1.8