



# WENBAO

温宝球阀 WENBAO BALL VALVE  
OUR PHILOSOPHY IS SIMPLY TO SUPPLY THE BEST  
WENBAO QUALITY ACHIEVEMENT FOR FUTURE

## 2 Pc ball valve with mounting pad

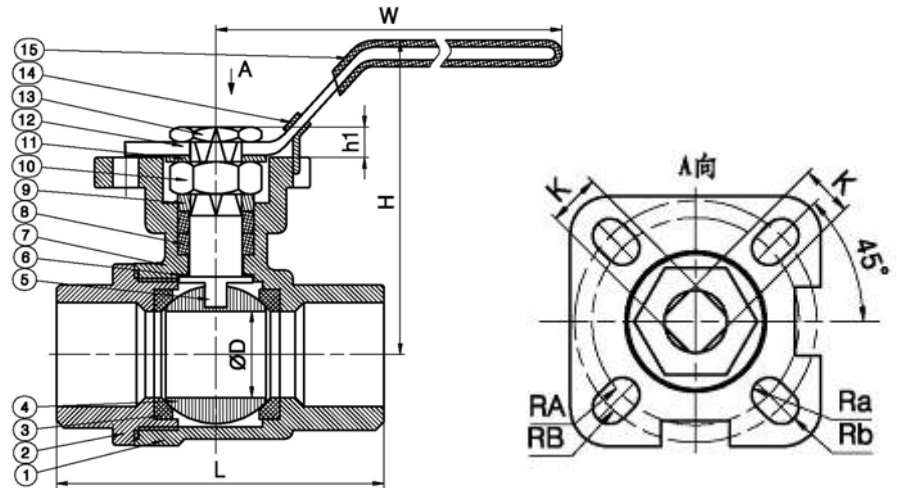
## Material



| ITEM | DESIGNATION     | MATERIAL    |
|------|-----------------|-------------|
| 1    | BODY            | 304/316/WCB |
| 2    | CAP             | 304/316/WCB |
| 3    | SEAT            | PTFE        |
| 4    | BALL            | 304/316     |
| 5    | STEM            | 304/316     |
| 6    | THRUST WASHER   | PTFE        |
| 7    | GASKET          | PTFE        |
| 8    | PACKING         | PTFE        |
| 9    | GLAND           | 304         |
| 10   | STUB BOLT       | 304         |
| 11   | BELLEVILLE DISC | 304         |
| 12   | HANDLE          | 304         |
| 13   | STUD BOLT       | 304         |
| 14   | LOCKING DEVICE  | 304         |
| 15   | PLASTICE COVER  | PLA         |

### FEATURES:

- PIPE THREAD IN ACCORDANCE: NPT, BSPT, DIN258, DIN2999, ISO228CLASSA
- NOMINAL PRESSURE: 1.6~6.4MPA
- TEMPREATURE RANGE: -20℃~232℃~350℃
- SUITABLE MEDIUM: WATER, OIL, AIR AND SOME CORROSIVE LIQUID
- BLOW-OUT PROOF STEM/FULL PORT
- INVESTMENT CASTING BODY
- 1000PSI (PN63) W.O.G
- LOCKING DEVICE
- MATERIAL:  
S45C/ASTM A216GR-WCB/DIN1.0619  
SS316/ASTM A351GR-CF8M/DIN1.4408



## Dimension

| ITEM \ SIZE | 1/2" | 3/4" | 1"  | 1-1/4" | 1-1/2" | 2"    |
|-------------|------|------|-----|--------|--------|-------|
| D           | 15   | 20   | 25  | 30     | 38     | 49    |
| L           | 61.5 | 73   | 86  | 91     | 107    | 117.5 |
| W           | 130  | 160  | 175 | 175    | 180    | 180   |
| H           | 62.5 | 71   | 90  | 91     | 100    | 137   |
| h1          | 9    | 9    | 11  | 11     | 14     | 14    |
| RA          | 18   | 18   | 21  | 21     | 25     | 25    |
| RB          | 21   | 21   | 25  | 25     | 35     | 35    |
| Ra          | 3    | 3    | 3   | 3      | 3.5    | 3.5   |
| Rb          | 3    | 3    | 3.5 | 3.5    | 4.5    | 4.5   |
| k           | 9    | 9    | 11  | 11     | 14     | 14    |