

**WENBAO**
温宝球阀 WENBAO BALL VALVE
 OUR PHILOSOPHY IS SIMPLY TO SUPPLY THE BEST
 WENBAO QUALITY ACHIEVEMENT FOR FUTURE

GB 2PC Flanged Ball Valve with mounting pad

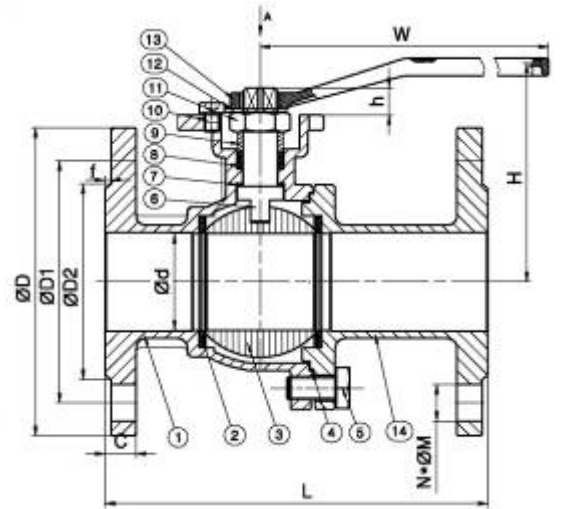
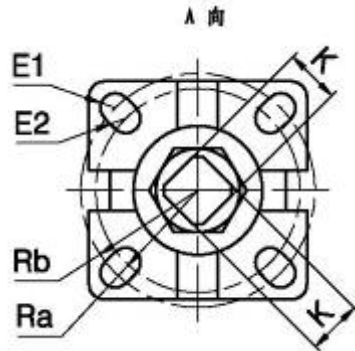
Material



ITEM	DESIGNATION	MATERIAL
1	BODY	304/316/WCB
2	SEAT	PTFE
3	BALL	304/316
4	GASKET	PTFE
5	BOLT	304
6	STEM	304/316
7	THRUST WASHER	PTFE
8	PACKING	PTFE
9	GLAND	304
10	STOP PIN	304
11	YOKE NUT	304
12	STOPPER	304
13	HADLE	304
14	CAP	304/316/WCB

FEATURES:

- FACE TO FACE DIMENSIONS: GB12221-1989
- END FLANGED DIMENSIONS: JB79
- DESIGN: GB12237-1989
- TEST: GB13927-1992
- INVESTMENT CASTING BODY
- LEVER OPERATED WITH DIRECT MOUNTING PAD



Nominal pressure	PN1.6MPa	
Test pressure	Shell test	2.4Mpa
	Seal test	1.76Mpa
	Air test	0.6Mpa
Working temperature	≤150°	
Suitable medium	Oil,gas,water,other	

Dimension

SIZE	1/2"	3/4"	1"	1-1/4"	1-1/2"	2"	2-1/2"	3"	4"
ITEM									
d	15	20	25	32	38	50	62	78	100
L	129	136.5	149	162.5	178.5	198	216.5	249.5	278
H	85	90	100	105	110	120	160	170	185
W	140	140	165	165	195	195	240	260	320
D	95	105	115	135	145	160	180	195	215
D1	65	75	85	100	110	125	145	160	180
D2	40.5	50	60	73	81	96	114.5	130	148
c	14	14	14	16	16	16	18	20	20
f	2	2	2	2	3	3	3	3	3
z*d1	4*14	4*14	4*14	4*18	4*18	4*18	4*18	4*18	4*18
h	9	9	11	11	14	14	17	17	19
E2	3	3	3	3	3.5	3.5	3.5	4.5	4.5
E1	3	3	3.5	3.5	4.5	4.5	4.5	5.5	5.5
Ra	18	18	21	21	25	25	25	32	32
Rb	21	21	25	25	35	35	35	51	51
K	9	9	11	11	14	14	14	17	19