

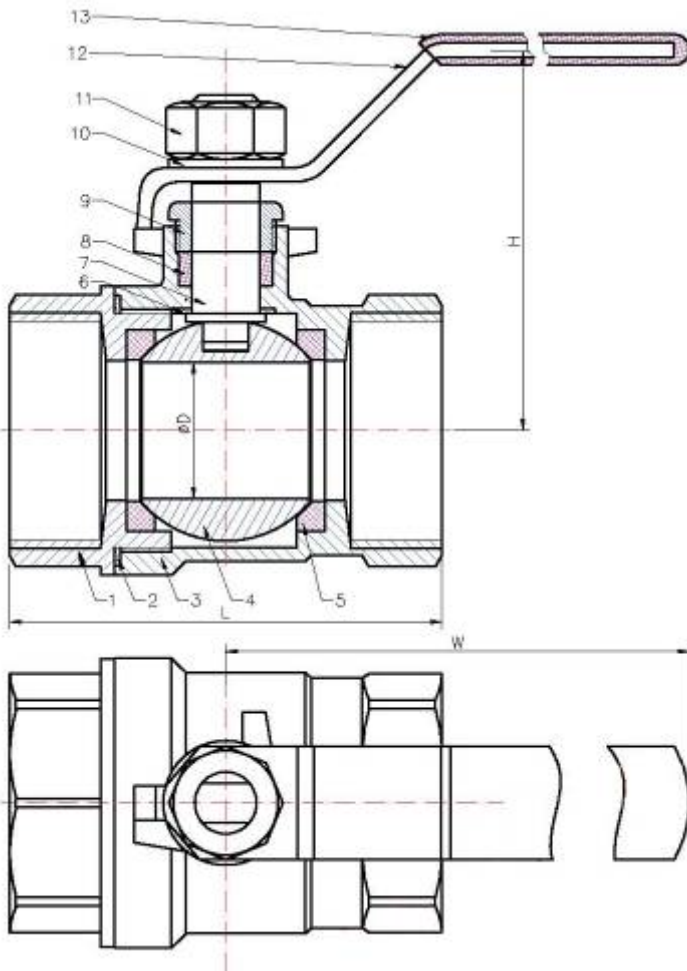
**WENBAO**
温宝球阀 WENBAO BALL VALVE
 OUR PHILOSOPHY IS SIMPLY TO SUPPLY THE BEST
 WENBAO QUALITY ACHIEVEMENT FOR FUTURE

Korea type 2 Pc ball valve (REDUCED BORE)



Material

ITEM	DESIGNATION	MATERIAL
1	CAP	304/316/WCB
2	GASKET	PTFE
3	SEAT	PTFE
4	BODY	304/316/WCB
5	BALL	304/316
6	THRUS WASHER	PTFE
7	STEM	304/316
8	PACKING	PTFE
9	GLAND	304
10	SPRING WASHER	304
11	STEM NUT	304
12	HANDLE	304
13	PLASTIC COVER	PLASTIC



FEATURES:

- PIPE THREAD IN ACCORDANCE: NPT, BSPT, DIN258, DIN2999, ISO228CLASSA
- BLOW-OUT PROOF STEM/FULL PORT
- INVESTMENT CASTING BODY
- MATERIAL: S45C/ASTM A216GR-WCB/DIN1.0619
SS316/ASTM A351GR-CF8M/DIN1.4408

Dimension

ITEM	SIZE	1"	1-1/4"	1-1/2"	2"
	D		20	24	32
L		66	76	88	98
H		54	68	74.5	88
W		108	125	148	165
Wgt/kg		0.42	0.60	0.95	1.53