

**WENBAO****温宝球阀 WENBAO BALL VALVE**  
OUR PHILOSOPHY IS SIMPLY TO SUPPLY THE BEST  
WENBAO QUALITY ACHIEVEMENT FOR FUTURE

### 3 Pc ball valve (heavy type)

### Material

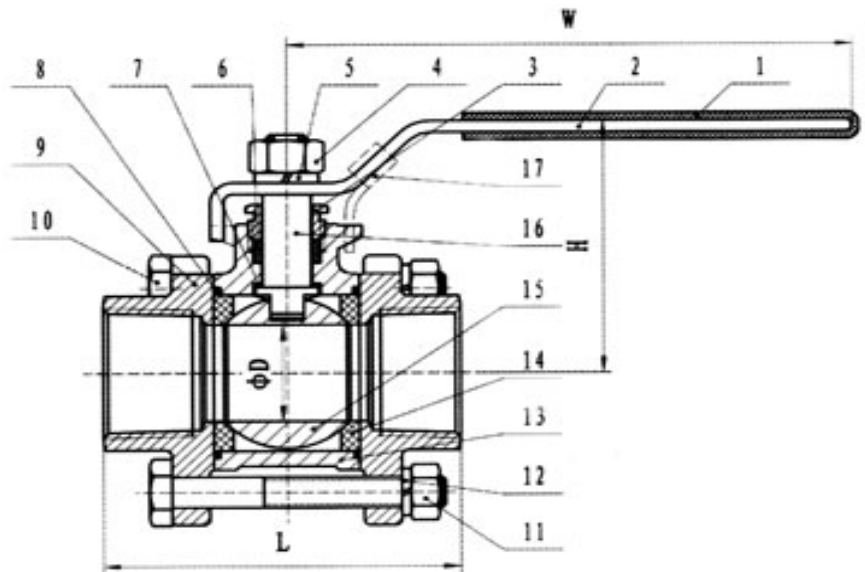


ITEM	DESIGNATION	MATERIAL
1	PLASTIC COVER	PLASTIC
2	HANDLE	304
3	GLAND NUT	304
4	STEM NUT	304
5	THRUST WASHER	304
6	STEM PACKING	PTFE
7	THRUST WASHER	PTFE
8	BODY SEAL	PTFE
9	CAP	304/316/WCB
10	BOLT	304
11	NUT	304
12	THRUST WASHER	304
13	BODY	304/316/WCB
14	SEAT	PTFE
15	BALL	304/316
16	STEM	304/316
17	LOCKING	304

#### FEATURES:

- PIPE THREAD IN ACCORDANCE: NPT, BSPT, DIN258, DIN2999, ISO228CLASSA
- NOMINAL PRESSURE: 1.6~6.4MPA
- TEMPERATURE RANGE: -20℃~232℃~350℃
- SUITABLE MEDIUM: WATER, OIL, AIR AND SOME CORROSIVE LIQUID
- BLOW-OUT PROOF STEM/FULL PORT
- INVESTMENT CASTING BODY
- 1000PSI (PN63) W.O.G
- LOCKING DEVICE
- MATERIAL:

S45C/ASTM A216GR-WCB/DIN1.0619  
SS316/ASTM A351GR-CF8M/DIN1.4408



### Dimension

SIZE	1/4"	3/8"	1/2"	3/4"	1"	1-1/4"	1-1/2"	2"	2-1/2"	3"	4"
ITEM											
D	12.5	12.5	15	20	25	32	38	50	65	76	94
L	72	72	72	84	94	112.5	123	145	181	186	220
H	48	48	54	63	63	84.5	93	101.5	120	125	180
W	105	105	105	126	144	144	189	189	224	224	251