



WENBAO

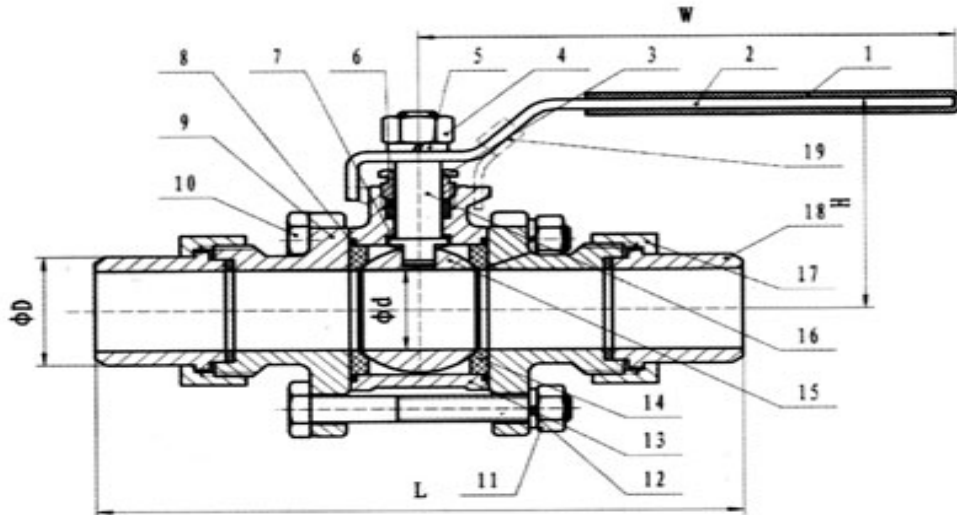
温宝球阀 WENBAO BALL VALVE
OUR PHILOSOPHY IS SIMPLY TO SUPPLY THE BEST
WENBAO QUALITY ACHIEVEMENT FOR FUTURE

3 Pc union butt weld ball valve

Material



ITEM	DESIGNATION	MATERIAL
1	HANDLE SLEEVE	PVC
2	HANDLE	304
3	GLAND NUT	304
4	STEM NUT	304
5	SPRING WASHER	304
6	PACKING	PTFE
7	STEM SEAL	PTFE
8	BODY SEAL	PTFE
9	CAP	304/316
10	BOLT	304
11	NUT	304
12	THRUST WASHER	304
13	BODY	304/316
14	BALL SEAT	PTFE
15	BALL	304/316
16	STEM	304/316
17	NUT	304
18	SLEEVE	304/316
19	LOCKING	304



Dimension

SIZE	1/4"	3/8"	1/2"	3/4"	1"	1-1/4"	1-1/2"	2"	2-1/2"	3"
D	12.5	12.5	15	20	25	32	38	50	65	80
L	165	165	178	198	224	229	249	300	338	364
H	42	42	49	52	62	66	77	85	139	150
W	98	98	115	115	143	143	178	178	250	250