

**WENBAO**
温宝球阀 WENBAO BALL VALVE
 OUR PHILOSOPHY IS SIMPLY TO SUPPLY THE BEST
 WENBAO QUALITY ACHIEVEMENT FOR FUTURE

DIN 2 Pc ball valve (DIN3202-M3)



Material

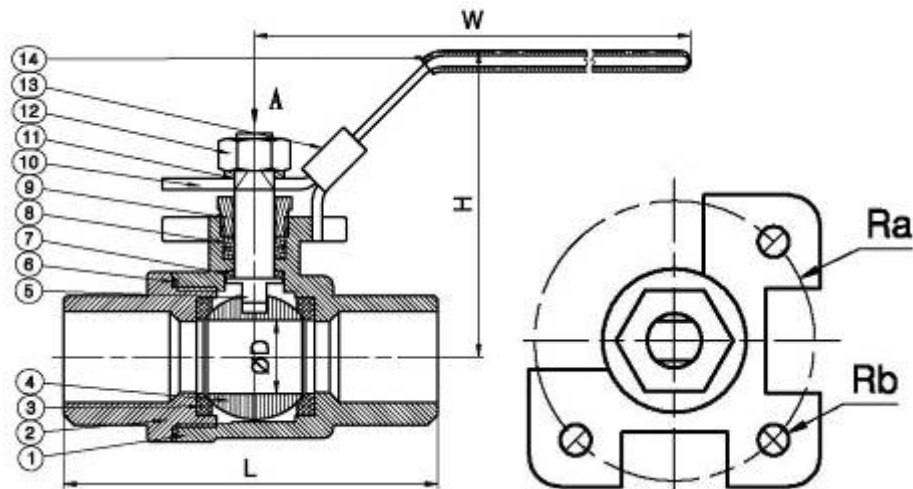
ITEM	DESIGNATION	MATERIAL
1	BODY	CF8/CF8M/WCB
2	CAP	CF8/CF8M/WCB
3	SEAT	PTFE
4	BALL	304/316
5	STEM	304/316
6	GASKET	PTFE
7	THRUST WASHER	PTFE
8	PACKING	PTFE
9	GLAND	304
10	HANDLE	304
11	SPRING WASHER	304
12	STEM NUT	304
13	LOCKING DEVICE	304
14	PLASTIC COVER	PLASTIC

FEATURES:

- PIPE THREAD IN ACCORDANCE: NPT, BSPT, DIN258, DIN2999, ISO228CLASSA
- FACE TO FACE: DIN3202-M3
- TEMPREATURE RANGE: -20°C~232°C~350°C
- SUITABLE MEDIUM: WATER, OIL, AIR AND SOME CORROSIVE LIQUID
- BLOW-OUT PROOF STEM/FULL PORT
- INVESTMENT CASTING BODY
- 1000PSI (PN63) W.O.G
- LOCKING DEVICE
- MATERIAL:

S45C/ASTM A216GR-WCB/DIN1.0619

SS316/ASTM A351GR-CF8M/DIN1.4408



Dimension

SIZE	1/2"	3/4"	1"	1-1/4"	1-1/2"	2"	2-1/2"	3"	4"
ITEM									
D	15	20	25	32	38	50	65	76	94
L	75	80	90	110	120	140	185	205	240
W	110	122	122	170	170	170	243	243	295
H	71	67.5	70	80	91	98	135	144	166
Ra	18	18	18	25	25	50			
Rb	4	4	5	5	5	5			