

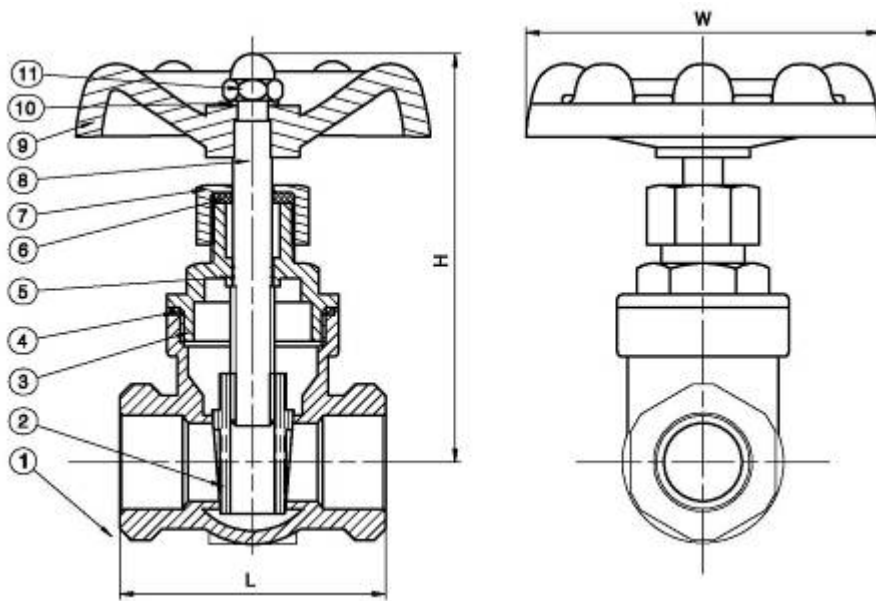
**WENBAO**
温宝球阀 WENBAO BALL VALVE
 OUR PHILOSOPHY IS SIMPLY TO SUPPLY THE BEST
 WENBAO QUALITY ACHIEVEMENT FOR FUTURE

Gate valve (light type)



Material

ITEM	DESIGNATION	MATERIAL
1	BODY	304/316
2	DISC	304/316
3	BONNET	304/316
4	GASKET-A	PTFE
5	O-RING	VITON
6	GASKET-B	PTFE
7	CAP NUT	304/316
8	STEM	304/316
9	HANDLE	WCB/304
10	SPRING WASHER	304
11	STEM NUT	304



FEATURES:

- PIPE THREAD IN ACCORDANCE: NPT, BSPT, DIN258, DIN2999
- INVESTMENT CASTING BODY
- INSIDE SCREW AND SCREWED BONNET WEDGE DISC
- NON RISING STEM AND HAND WHEEL
- INTEGRAL WEAT
- MATERIAL:
 - SS316/ASTM A351
 - GR-CF8M/DIN1.4408

Dimension

SIZE	1/2"	3/4"	1"	1-1/4"	1-1/2"	2"
DN	15	20	25	32	40	50
L	47	51	56			70
W	58.5	58.5	58.5			100
H	75	83	105			130