

**WENBAO**

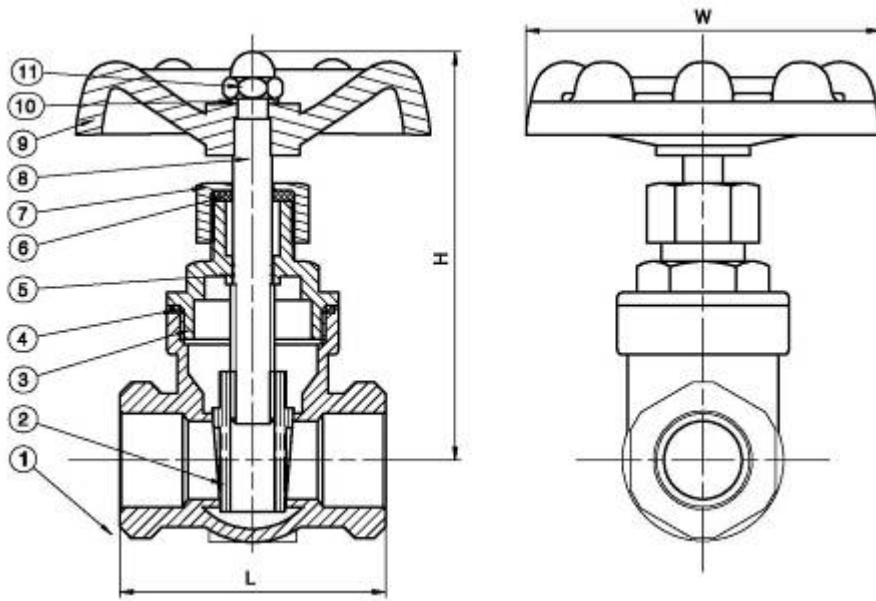
温宝球阀 WENBAO BALL VALVE
 OUR PHILOSOPHY IS SIMPLY TO SUPPLY THE BEST
 WENBAO QUALITY ACHIEVEMENT FOR FUTURE

Gate valve (heavy type)



Material

ITEM	DESIGNATION	MATERIAL
1	BODY	304/316
2	DISC	304/316
3	BONNET	304/316
4	GASKET-A	PTFE
5	O-RING	VITON
6	GASKET-B	PTFE
7	CAP NUT	304/316
8	STEM	304/316
9	HANDLE	WCB/304
10	SPRING WASHER	304
11	STEM NUT	304



FEATURES:

- PIPE THREAD IN ACCORDANCE: NPT, BSPT, DIN258, DIN2999
- INVESTMENT CASTING BODY
- INSIDE SCREW AND SCREWED BONNET WEDGE DISC
- NON RISING STEM AND HAND WHEEL
- INTEGRAL WEAT
- MATERIAL:
 - SS316/ASTM A351
 - GR-CF8M/DIN1.4408

Dimension

SIZE	1/2"	3/4"	1"	1-1/4"	1-1/2"	2"
ITEM						
DN	15	20	25	32	40	50
L	55	60	66	75	85	95
W	71.5	71.5	80	80	90	100
H	85	85	112.5	120	146	160