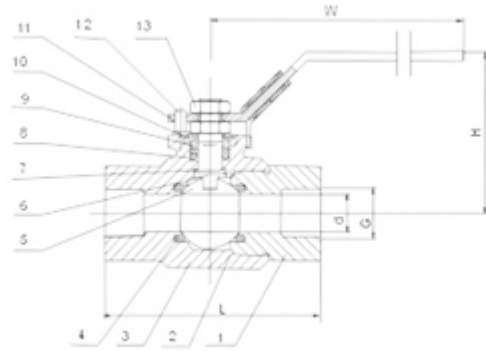


**WENBAO****温宝球阀 WENBAO BALL VALVE**
OUR PHILOSOPHY IS SIMPLY TO SUPPLY THE BEST
WENBAO QUALITY ACHIEVEMENT FOR FUTURE

2PC High Pressure Ball Valve



- 2PC Body Full Bore
- Design and manufacture:ANSI B16.34
- Size: 1/4" to 2"
- Anti-Satatic Device
- Working Pressure: Class1500(3000psi)
- Fire-safety
- Threaded End: BSPT, NPT, DIN2999
- ISO5211 Mounting Pad



MAIN MATERIAL

NO.	PART NAME	MATERIAL
1	END CAP	WCB/304/316
2	SEAL GASKET	PTFE
3	BODY	WCB/304/316
4	SEAT	PTFE
5	BALL	304/316
6	STEM	304/316
7	STEM SEALING	PTFE
8	PACKING	PTFE
9	PACKING GLAND	304
10	STEM WASHER	304
11	HANDLE	304
12	STOP PIN	304
13	NUT	304

DIMENSION LIST

SIZE	1/4"	3/8"	1/2"	3/4"	1"	1-1/2"	2"
ITEM							
G	18NPT	18NPT	14NPT	14NPT	11.5NPT	/	11.5NPT
L	102	102	102	110	114	133	159
H	62	62	62	90	90	125	142
W	170	170	170	170	170	280	300
Φd	9	9	13	19	25	38	50
Wgt/kg	0.11	0.18	0.34	0.54	0.95	1.7	2.78