

**WENBAO**
**温宝球阀 WENBAO BALL VALVE**  
 OUR PHILOSOPHY IS SIMPLY TO SUPPLY THE BEST  
 WENBAO QUALITY ACHIEVEMENT FOR FUTURE

## Three way ball valve with mounting pad

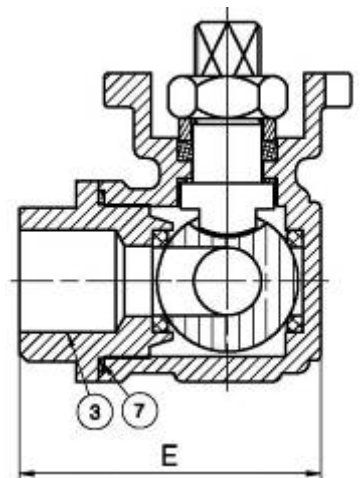
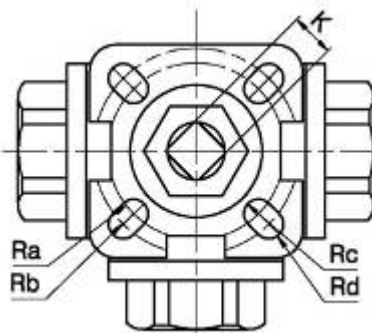
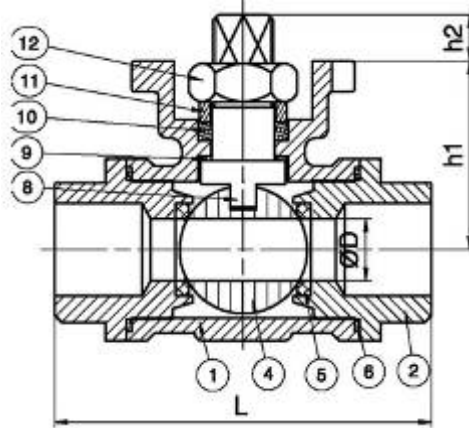
## Material



ITEM	DESIGNATION	MATERIAL
1	BODY	304/316/WCB
2	CAP	304/316/WCB
3	CAP	304/316/WCB
4	BALL	304/316
5	SEAT	PTFE
6	GASKET-A	PTFE
7	GASKET-B	PTFE
8	STEM	304/316
9	THRUST WASHER	PTFE
10	PACKING	PTFE
11	GLAND	304
12	STEM NUT	304

### FEATURES:

- PIPE THREAD IN ACCORDANCE: NPT, BSPT, DIN258, DIN2999, ISO228 CLASS A
- TEMPERATURE RANGE: -20°C~232°C~350°C
- SUITABLE MEDIUM: WATER, OIL, AIR AND SOME CORROSIVE LIQUID
- BLOW-OUT PROOF STEM/FULL PORT
- INVESTMENT CASTING BODY
- 1000PSI (PN63) W.O.G
- THERE ARE FOUR SEATS
- WITH ISO 5211 MOUNTING PAD
- L-PORT OR T-PORT AVAILABLE 360° PADLOCKING HANDLE
- MATERIAL:  
S45C/ASTM A216GR-WCB/DIN1.0619  
SS316/ASTM A351GR-CF8M/DIN1.4408



## Dimension

ITEM \ SIZE	1/2"	3/4"	1"	1-1/4"	1-1/2"	2"
D	12	15	18	25	32	45
L	73.5	82.5	89	125.5	139	154.5
h1	36.75	39.75	47.25	56	71.5	77
h2	9	9	11	11	14	14
E	39	47.5	53	75	86.5	98
Ra	18	18	21	21	25	25
Rb	21	21	25	25	35	35
Rc	3	3	3	3	3.5	3.5
Rd	3	3	3.5	3.5	4.5	4.5
K	9	9	11	11	14	14